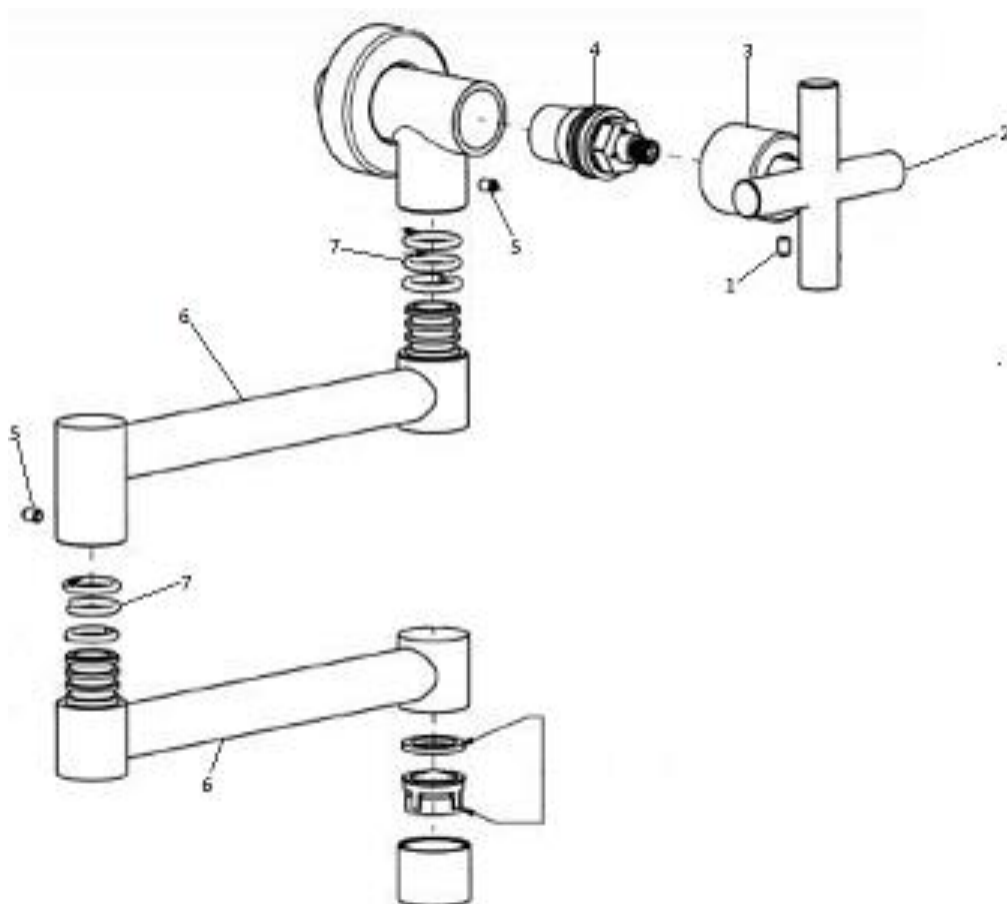


Franke Pot Filler Tap

Replacing Cartridge & O-Rings

Replacing the cartridge

Before removing the cartridge you will need to turn the water off to the tap. You will need to remove the handle retaining screw (1) by using a 2mm allen key. You can then remove the handle (2) and unscrew the valve cover (3) by unscrewing it anticlockwise. You will then be able to unscrew the valve (4) by using an adjustable spanner.



Replacing the o rings

To replace the o rings you'll need to remove the spout retaining screw (5) by using a 2.5mm allen key. Once this is removed you will be able to lift the spout (6) out of the tap. You can then replace the o rings (7) at the base of the spout with the new parts.

Central Services Ltd
Unit 17 Park Hall Business Village
Park Hall Road
Stoke-on-Trent
ST3 5XA

01782 599258
ks-ukcentralservices.gb@franke.com

*Make
it
Wonderful*

FRANKE